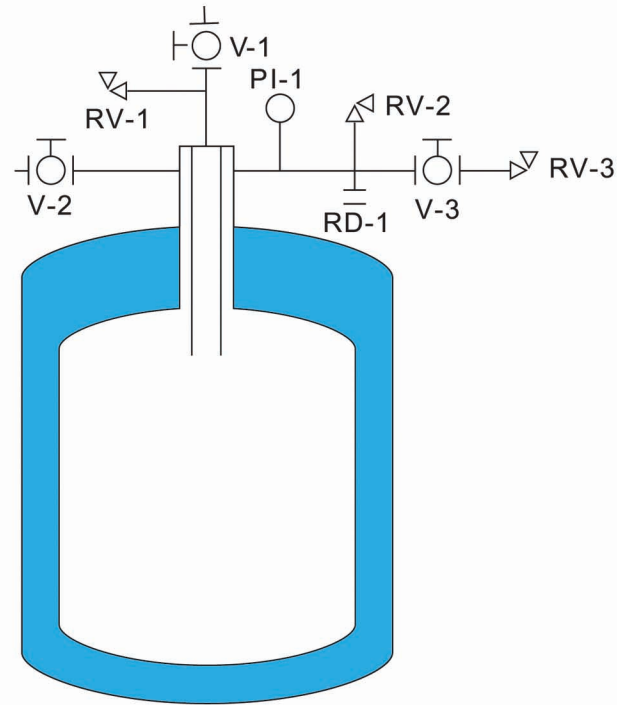


## Piping Schematic



### Symbol Description

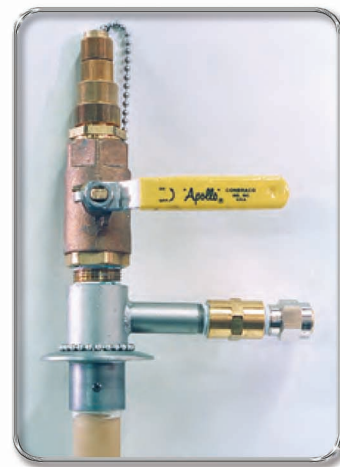
<b>V-1</b>	<b>Liquid Valve</b>
<b>V-2</b>	<b>Vent Valve</b>
<b>V-3</b>	<b>Isolation Valve</b>
<b>RD-1</b>	<b>Rupture Disk*</b>
<b>RV-1</b>	<b>Relief Valve, 15 PSIG</b>
<b>RV-2</b>	<b>Relief Valve, 10 PSIG</b>
<b>RV-3</b>	<b>Pressure Control Valve, .5 PSIG</b>
<b>PI-1</b>	<b>Compound Pressure Gauge 30" Hg-0-15 PSIG</b>

\*Only on capacities 200 Liters and greater.

## Standard Access Ports



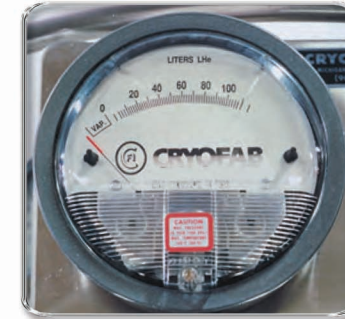
Sizes 150 liters and less  
1/2" to 3/8" access



Sizes 200 liters and up  
3/4" to 1/2" access



## Optional Equipment



Differential Pressure  
Liquid Level Gauges



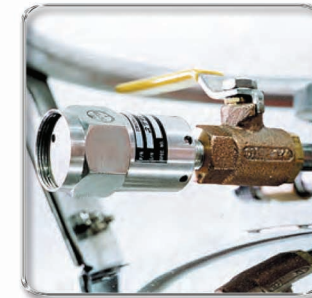
Super Conducting  
Liquid Level Systems



Flow Meters



Built-in Vacuum Jacketed  
Withdrawal Valve



Absolute Relief Valve  
For Air Transport



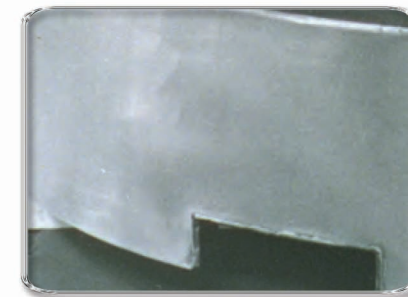
Larger Neck  
Openings



Electric Pressure  
Building Systems



Pull Handles  
Available on Sizes  
100 lt thru 1000 lt



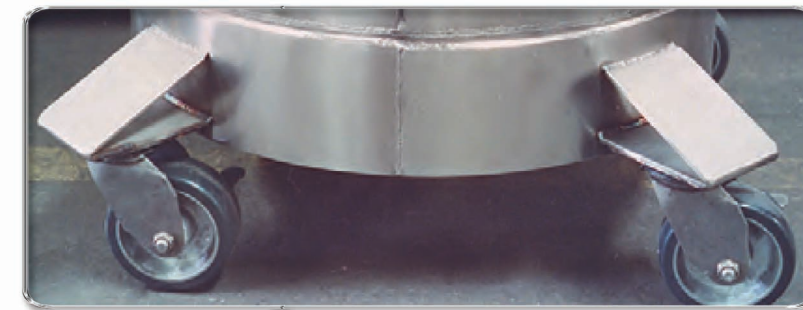
Fork Lift Provisions  
Available on Sizes 500 lt and up



Removable Dollies  
Sizes 30 lt to 100 lt



Locking Casters Wing Lock



Outboard Wheel Configuration  
Sizes 30 lt to 150 lt



Locking Casters Pedal Lock