

## T312

### CAPINSERT™ for CRYOVIAL® Tubes

Made of polypropylene

Color coded inserts fit precisely into the cap of the Cryovial® for color identification.

Cat. #	Color	Qty/Bag	Cat. #	Color	Qty/Bag
T312-1	White	500	T312-8	Tan	500
T312-2	Blue	500	T312-9	Gray	500
T312-3	Red	500	T312-10	Lilac	500
T312-4	Green	500	T312-11	Burnt orange	500
T312-5	Yellow	500	T312-13	Violet	500
T312-7	Assortment of colors above	5 bags of 100	T312-14	Pink	500

## T313

### Cane for CRYOVIAL® Tubes

Made of aluminum

For storage of up to five 1.2 or 2 ml Simport Cryovial® tubes in liquid nitrogen containers such as Dewar flasks.

Cat. #	Length	Qty/Pk	Qty/Cs
T313	290 mm (11 5/16 in.)	12	48

## T315

### CRYOVIAL® Workstation Rack

Made of polypropylene

This handy autoclavable rack can hold up to 50 cryogenic vials. Now with one hand, you can easily unscrew a Simport Cryovial® closure. Thanks to an innovative universal locking system, the vials will securely lock in each well and will not turn. Each position is identified with an alphanumeric index. Strong handles make it easy and safe to carry. It is supported by five anti-skid rubber feet. The rack is compact and stackable. Available in three attractive colors.

Size: 10 cm x 20 cm x 25 mm H (4 x 8 x 1 in. H)

Cat. #	Color	Qty/Cs
T315-2	Blue	4
T315-3	Red	4
T315-10	Lilac	4

Now, with only one hand, you can easily unscrew a Simport Cryovial® closure. Thanks to an innovative universal locking base, the vials will securely lock in the wells of just about any rack on the market. This newly designed feature is available on all Simport self-standing Cryovial® tubes.

## T310TP

### CRYOLOCK™ Tamper Evident Cryogenic Vial with Silicone Washer Seal

Tube made of polypropylene / Cap made of polyethylene

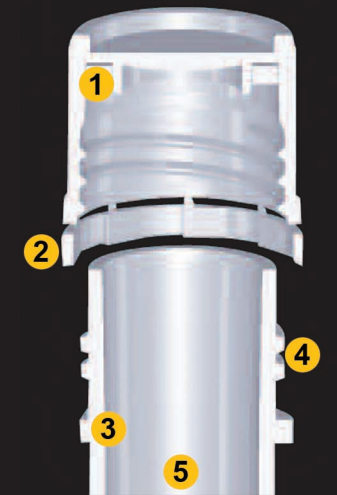
Recognizing the special needs of the laboratory scientist in the area of Cryogenics, Simport has developed a unique Cryovial®, initiating the beginning of a new era in sample protection. The unique Simport CryoLock™ Tamper Evident Cryogenic Vial incorporates a seal that needs to be broken in order to open it, which leaves an obvious visual indication that the vial has been opened. The ease of operation is due in part to the closure's unique frangible band design. This produces a combination tamper-evident resistant closure system that provides benefits of safety and peace of mind. Designed for storing biological material, human or animal cells, at temperatures as low as -196° C (**but should be used only in the gas phase of liquid nitrogen**). The cap features a long skirt for one hand aseptic methods, a super fast thread design that allows tightening or removal with a mere 1 1/4 turn, and an inside thread design that will not contribute to possible contamination. But this tamper evident cap also features an exclusive silicone seal as well as a specially designed lip fitted inside of the cap to ensure a positive seal at any temperature, even the lowest of cryogenic temperatures. Tubes are provided with a white marking area for sample identification and can be color coded by using a Capinsert™ (T345). The Simport CryoLock™ Tamper Evident Cryovial® is compatible with most storage systems. Self-standing vials are sterilized by gamma radiation and are packaged in unique tamperproof, resealable, safety-lock bags of 100.

Certified RNase-, DNase-, Pyrogen- and DNA-free



When unscrewing the cap, the tamper evident locking ring is detached and freed from closure

Cat. #	T310-1ATP	T310-2ATP	T310-5ATP
Volume (ml)	1,2	2	2
Size (mm)	11.8 x 35.1	11.8 x 44.3	11.8 x 82
Self-Standing	•	•	•
Qty/Bag	100	100	100
Qty/Cs	1000	1000	1000



- 1) Available with specially designed economical silicone washer for a more secure and positive leakproof seal
- 2) Innovative tamper evident locking ring for better protection of contents
- 3) Thick wall makes tube almost unbreakable
- 4) Super fast 1 1/4 turn thread design
- 5) Excellent clarity makes sample easy to see